

Midi free-standing Beacons / LED Permanent-/ Blink-/ Revolving Light 829  
**LED Perm./Blink.Beacon RM 24VDC GN**



Part No.: 829.207.55



#### MECHANICAL DATA

|                              |                             |
|------------------------------|-----------------------------|
| Height                       | 200 mm                      |
| Diameter                     | 98 mm                       |
| Materials                    | PC<br>PC/ABS                |
| Dome colour                  | Green                       |
| Housing colour               | Black                       |
| Protection category          | IP65                        |
| Connection                   | Screw terminals             |
| cross-sectional area maximum | 2,50mm <sup>2</sup> / 14AWG |
| Cable entry                  | Through hole                |
| Cable entry maximum          | d = 11 mm                   |
| Type of fixing               | Tube mounting               |
| Working temperature minimum  | -20°C                       |
| Working temperature maximum  | +50°C                       |
| Weight with packaging        | 321 g                       |
| Product weight               | 252 g                       |

#### ELECTRICAL DATA

|                             |                    |
|-----------------------------|--------------------|
| Operating voltage           | 24V                |
| Operating voltage type      | DC                 |
| Operating voltage tolerance | +/- 10%            |
| Rated operational voltage   | 24 VDC             |
| Rated operational current   | 150 mA             |
| Rated inrush current        | 500 mA             |
| Protection class            | Protection class 2 |
| Pollution degree            | 3                  |

#### OPTICAL DATA

|                      |                  |
|----------------------|------------------|
| Light source         | LED              |
| Light colour         | Green            |
| Optical signal image | Blink            |
| Blink frequency (Hz) | 1.5 Hz           |
| Service life optical | 50,000 h maximum |

#### APPROVAL DATA

|                              |     |
|------------------------------|-----|
| Conforms with CE             | Yes |
| WEEE                         | Yes |
| Conforms with ATEX-directive | No  |
| Conforms with CCC            | No  |

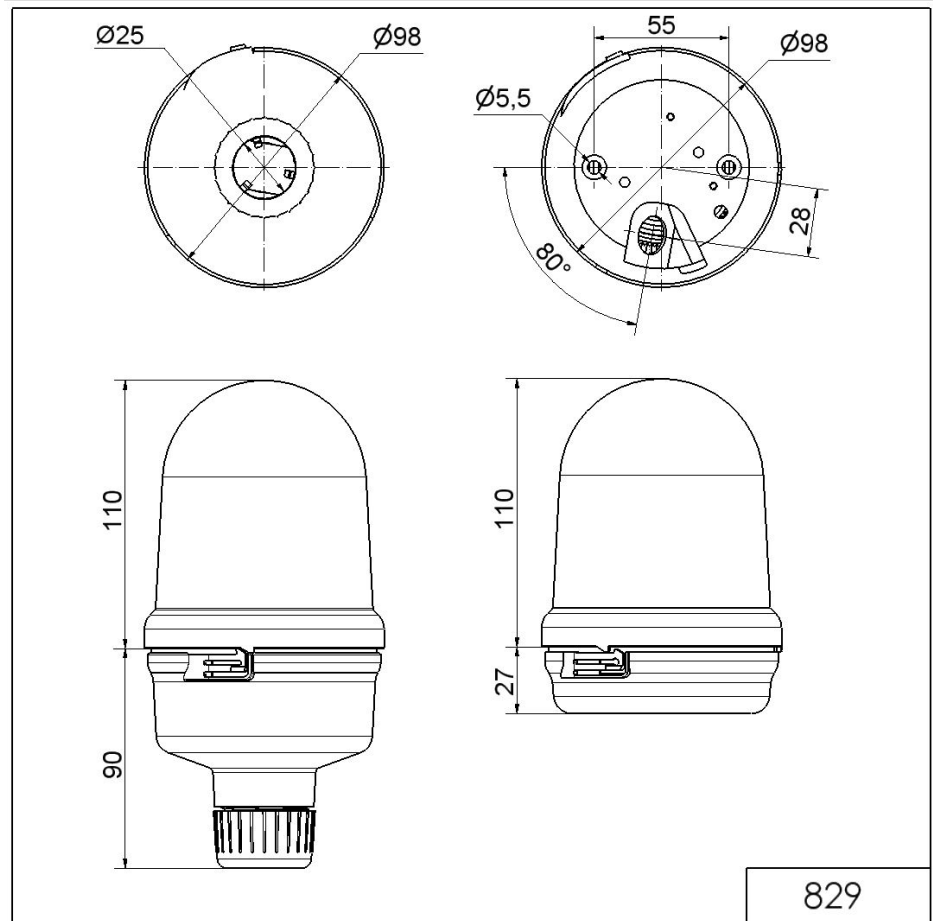


For additional installation and mounting information, refer to the appropriate user guide at [www.werma.com](http://www.werma.com). This printed copy is for information only and is subject to alteration.

Midi free-standing Beacons / LED Permanent-/ Blink-/ Revolving Light 829  
**LED Perm./Blink.Beacon RM 24VDC GN**

|                           |         |
|---------------------------|---------|
| Conforms with UL          | cULus   |
| UL Type Rating            | Type 12 |
| Conforms with FCC         | No      |
| Conforms with IC          | No      |
| EAC certificate available | Yes     |
| Conforms with AS-I        | No      |
| ICAO Certification        | No      |
| Conforms with DNV         | No      |
| Conforms with RoHS CN     | No      |
| Conforms with VdS         | No      |
| MTTF-value [years]        | 7349    |

**DRAWING**



829



For additional installation and mounting information, refer to the appropriate user guide at [www.werma.com](http://www.werma.com). This printed copy is for information only and is subject to alteration.